

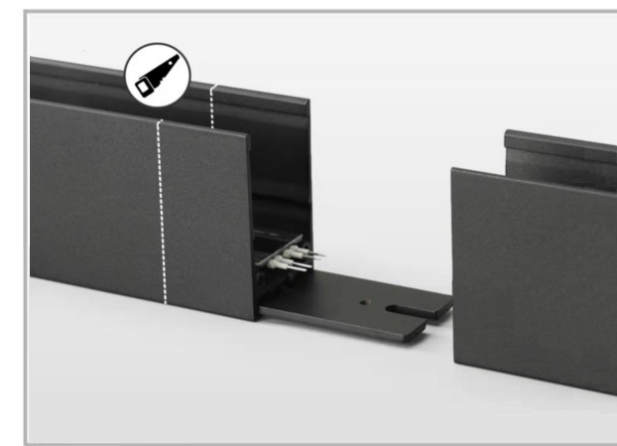
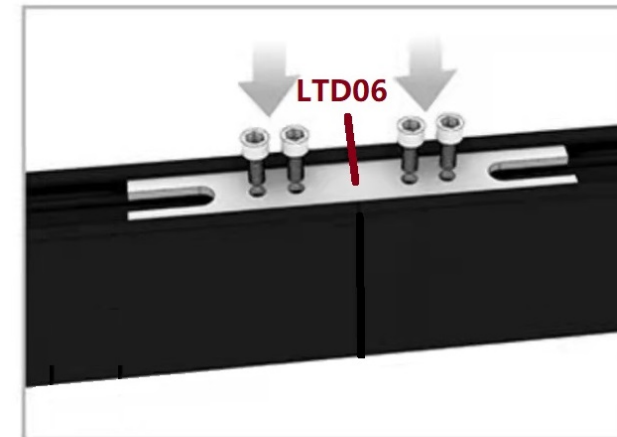


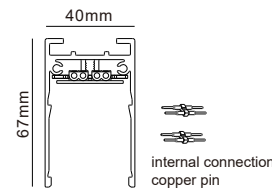
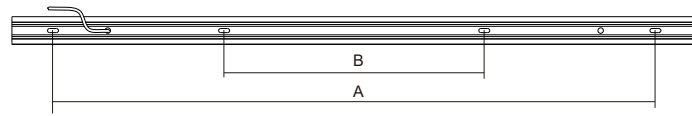
MAGNETIC TRACK SYSTEM ^{DALI Dimmable}

TRACK FIXTURES designed for high performances, made of aluminum , carefully chiseled. Perfect technological Fixtures with Hi-efficacy LED module, it assures life span and high quality to LED light . Easy installation. HIGH LEVEL OF VISUAL COMFORT.

It is possible to customize the product on the base of specific lighting purposes, for example the lamp can have a higher output lumen of different powers. Wall washer Optic available too

THE TRACK IS PROVIDED WITH POWER FEEDER ON THE TOP OF TRACK.
THE INTERNAL COPPER PIN CONNECTION TO CONDUCT ELECTRICITY.





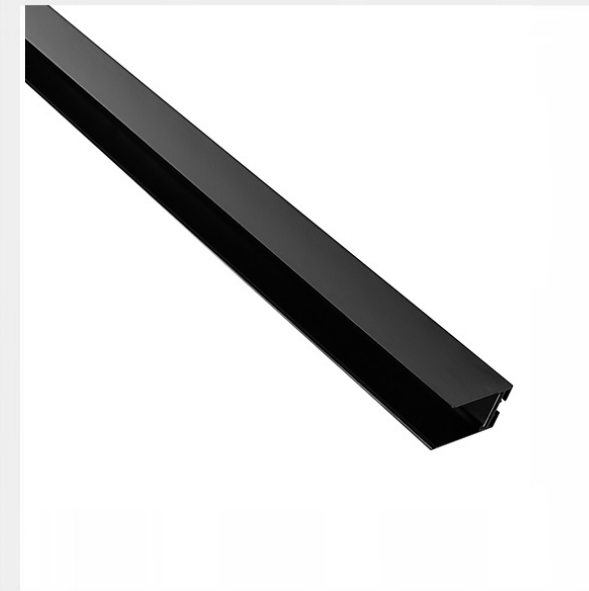
CODE	A	B
LTD4067-20	L1880mm	L880mm
LTD4067-15	L1380mm	L380mm
LTD4067-10	L880mm	
LTD4067-05	L380mm	



MAGNETIC TRACK SYSTEM

LTD4067T

The fixture was made of reliable extruded aluminium , powder coating
 Wall, ceiling recessed, ceiling suspended installations
 Easy installation - DALI Dimmable - Customized colour finishing are possible.



TECHICAL DATA

- Magnetic Track Profile
- Built -in NON DIMM LED DRIVER
- Trimless
- Extruded Aluminium, Powder coating
- DALI | Triac | 0/1-10V dimmable
- 48V DC DALI dimmable

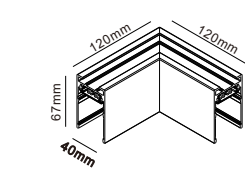
Color Temperature

- 2700K
- 3000K
- 4000K
- 5000K

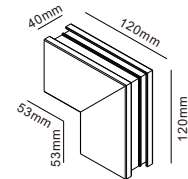
Finishes

- Black
- White
- Customized

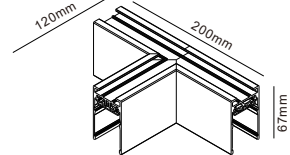
PRODUCT IS EUROPE STANDARD & CE CERTIFICATE.



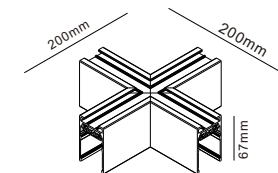
LTD36 "L" 90° Connector
120*120*67mm



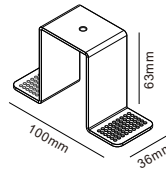
LTD37 Internal "L" 90° Connector
120*120*40mm EFFECTIVE:53*53mm



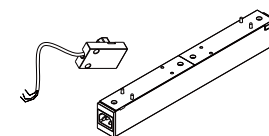
LTD38 "T" Connector
200*120*67mm



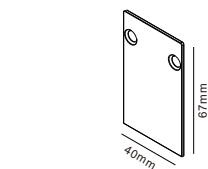
LTD39 "+" Connector
200*200*67mm



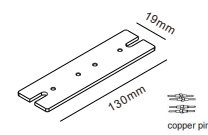
LTD02 Install Kit/Bracket
100*36*63mm



DC24V Integral NON-DIMM LED Driver
DC 48V DALI LED Driver



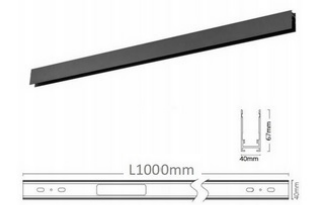
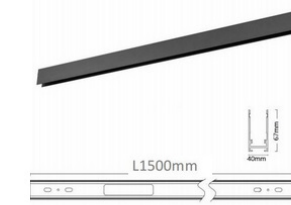
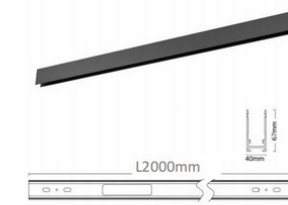
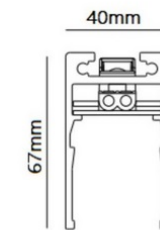
LTD07 End Cap
40*67mm



LTD06 Straight Connector & copper pin
130*19mm



LTD03 Suspended Wire
Surface Suspended Installation 2pc/1meter track



Code

Dimension mm

LTD4067T-10

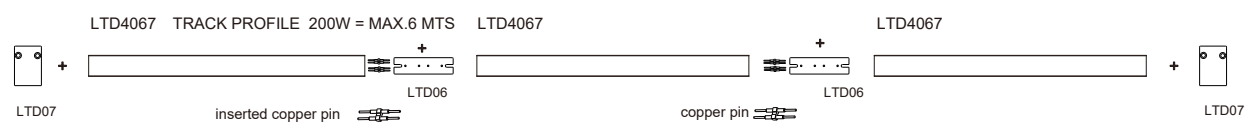
□40xH67xL1000mm

LTD4067T-15

□40xH67xL1500mm

LTD4067T-20

□40xH67xL2000mm



MAGNETIC TRACK SYSTEM



LTD118

Magnet Linear Light IP20

The fixture was made of reliable extruded aluminium , powder coating

The high-efficiency heat-sink assures life span and high quality to LED light - High level of visual comfort - DALI Dimmable - Customized colour finishing and power changes are possible. - Easy installation - 5years warranty - OSRAM branded LED chips High CRI

TECHICAL DATA

- 700-2100lm
- Built-in NON DIMM LED DRIVER
- Trimless | Eye friendly | Flicker Free
- Extruded Aluminium, Powder coating
- DALI | Triac | 0/1-10V dimmable
- 48V DC DALI dimmable

Color Temperature

- 2700K
- 3000K
- 4000K
- 5000K

Finishes

- Black
- White
- Customized

PRODUCT IS EUROPE STANDARD & CE CERTIFICATE.

MAGNETIC TRACK SYSTEM



LTD119

Spotlight IP20

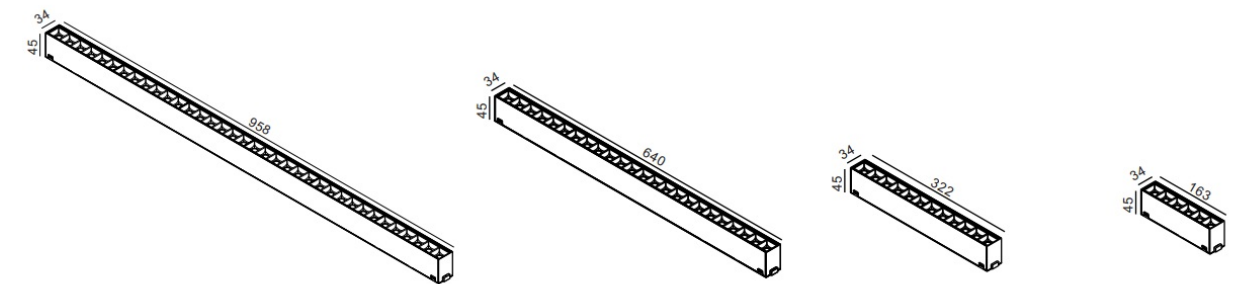
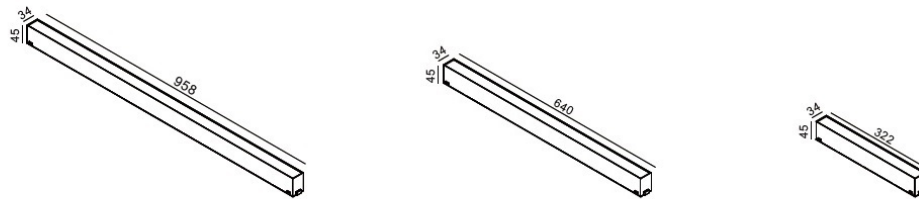
Easy lighting demand, for a wide scala of projects, from residential to restaurants, retail and much more. It is presented to its customers as a clean and non-dazzling product.

The high-efficiency heat-sink assures life span and high quality to LED light - High level of visual comfort - DALI Dimmable - Customized colour finishing and power changes are possible. - Easy installation - 5years warranty - OSRAM branded LED chips High CRI

TECHICAL DATA

- 420-3240lm
- Built-in NON DIMM LED DRIVER 24VDC
- Trimless | Eye friendly | Flicker Free
- Extruded Aluminium , Powder coating
- DALI | Triac | 0/1-10V dimmable
- Install onto Magnetic Track Profile
- CRI90+

PRODUCT IS EUROPE STANDARD & CE CERTIFICATE.



Code	System Power W	Output Lumen lm	Dimension mm
LTD118-10	10W	700lm	□L322x34xH45mm
LTD118 -20	20W	1400lm	□L640x34xH45mm
LTD118 -30	30W	2100lm	□L958x35xH45mm

Code	System Power W	Output Lumen lm	Dimension mm
LTD119-6	6W	420lm	□L163*34*H45mm
LTD119 -12	12W	840lm	□L322*34*H45mm
LTD119 -24	24W	1680lm	□L640*34*H45mm
LTD119 -36	36W	3240lm	□L960*34*H45mm

MAGNETIC TRACK SYSTEM



LTD116

Magnet Wall washer IP20

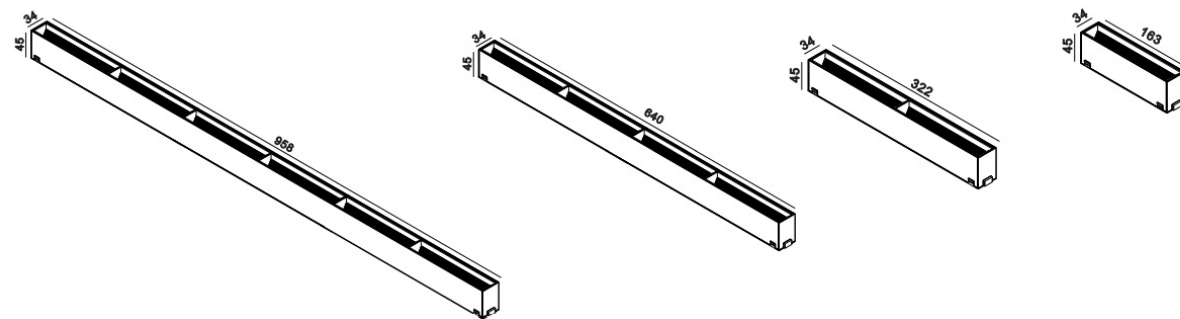
The fixture was made of reliable extruded aluminium , powder coating

The high-efficiency heat-sink assures life span and high quality to LED light - High level of visual comfort - DALI Dimmable - Customized colour finishing and power changes are possible. - Easy installation - 5years warranty - OSRAM branded LED chips High CRI

TECHICAL DATA

- 420-3240lm
- Built-in NON DIMM LED DRIVER 24VDC
- Trimless | Eye friendly | Flicker Free
- Polarized Wall Washing
- DALI | Triac | 0/1-10V dimmable
- Install onto Magnetic Track Profile
- CRI90+

PRODUCT IS EUROPE STANDARD & CE CERTIFICATE.



Code	System Power W	Output Lumen lm	Dimension mm
LTD116-6	6W	420lm	L160*34*H45mm
LTD116 -12	12W	840lm	L322*34*H45mm
LTD116 -24	24W	1680lm	L640*34*H45mm
LTD116 -36	36W	3240lm	L958*35*H45mm

MAGNETIC TRACK SYSTEM



LTD115

Spotlight IP44

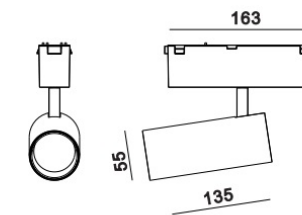
The lighting fixture is made of reliable aluminium and powder coated. Famous branded COB chips .Different beam angles and accessories can be ordered. Customized colour finishing and power changes are possible.

The spot lights offer multiple optic distributions. as a result of their innovative designs Electrified track installations provide unrivalled versatility and superior uniformity and are particularly effective in public spaces High level of visual comfort.

TECHICAL DATA

- 450-1400lm
- Trimless | Eye friendly | Flicker Free
- 90° Adjustable | 355° Rotatable | Spotlight | Flicker Free
- DALI | Triac | 0/1-10V dimmable
- Install onto Magnetic Track Profile
- CRI90+

PRODUCT IS EUROPE STANDARD & CE CERTIFICATE.



Code	System Power W	Output Lumen lm	Dimension mm
LTD115-5	5W	450lm	Ø55*H135mm
LTD115 -10	10W	950lm	Ø55*H135mm
LTD115 -15	15W	1400lm	Ø55*H135mm

MAGNETIC TRACK SYSTEM



LTD117

Spotlight IP20

Easy lighting demand, for a wide scala of projects, from residential to hotels, retail and much more. It is presented to its customers as a clean and non-dazzling product.

The high-efficiency heat-sink assures life span and high quality to LED light - High level of visual comfort - DALI Dimmable - Customized colour finishing and power changes are possible. - Easy installation - 5years warranty - OSRAM branded LED chips High CRI

TECHICAL DATA

- 420-840lm
- Built-in NON DIMM LED DRIVER 24VDC
- Adjustable | Eye friendly | Flicker Free
- DALI | Triac | 0/1-10V dimmable
- Install onto Magnetic Track Profile
- 48V DC DALI dimmable

PRODUCT IS EUROPE STANDARD & CE CERTIFICATE.

MAGNETIC TRACK SYSTEM



LTD107

Adjustable Linear Light IP44

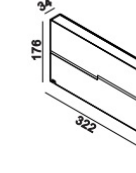
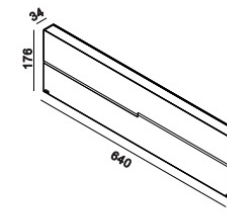
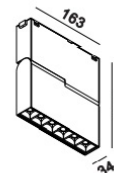
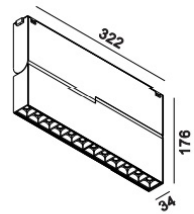
The fixture was made of reliable extruded aluminium , powder coating

The high-efficiency heat-sink assures life span and high quality to LED light - High level of visual comfort - DALI Dimmable - Customized colour finishing and power changes are possible. - Easy installation - 5years warranty - OSRAM branded LED chips High CRI

TECHICAL DATA

- 700-1400lm
- Built-in NON DIMM LED DRIVER 24VDC
- Adjustable | Eye friendly | Flicker Free
- DALI | Triac | 0/1-10V dimmable
- Install onto Magnetic Track Profile
- 48V DC DALI dimmable

PRODUCT IS EUROPE STANDARD & CE CERTIFICATE.



Code	System Power W	Output Lumen lm	Dimension mm
LTD117-6	6W	420lm	L163*34*H176mm
LTD117 -12	12W	840lm	L322*34*H176mm

Code	System Power W	Output Lumen lm	Dimension mm
LTD107-10	10W	700lm	L322*34*H176mm
LTD107 -20	20W	1400lm	L640*34*H176mm

MAGNETIC TRACK SYSTEM



LTD135

Spotlight IP44

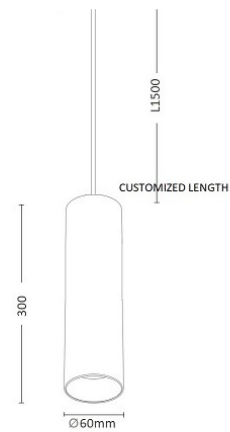
The fixture was made of reliable extruded aluminium , powder coating

The high-efficiency heat-sink assures life span and high quality to LED light - High level of visual comfort - DALI Dimmable - Customized colour finishing and power changes are possible. - Easy installation - 5years warranty - OSRAM branded LED chips High CRI

TECHICAL DATA

- 700-1400lm
- Built-in NON DIMM LED DRIVER 24VDC
- Get the brushed brass finishing by electroplating process
- DALI I Triac I 0/1-10V dimmable
- Install onto Magnetic Track Profile
- 48V DC DALI dimmable

PRODUCT IS EUROPE STANDARD & CE CERTIFICATE.

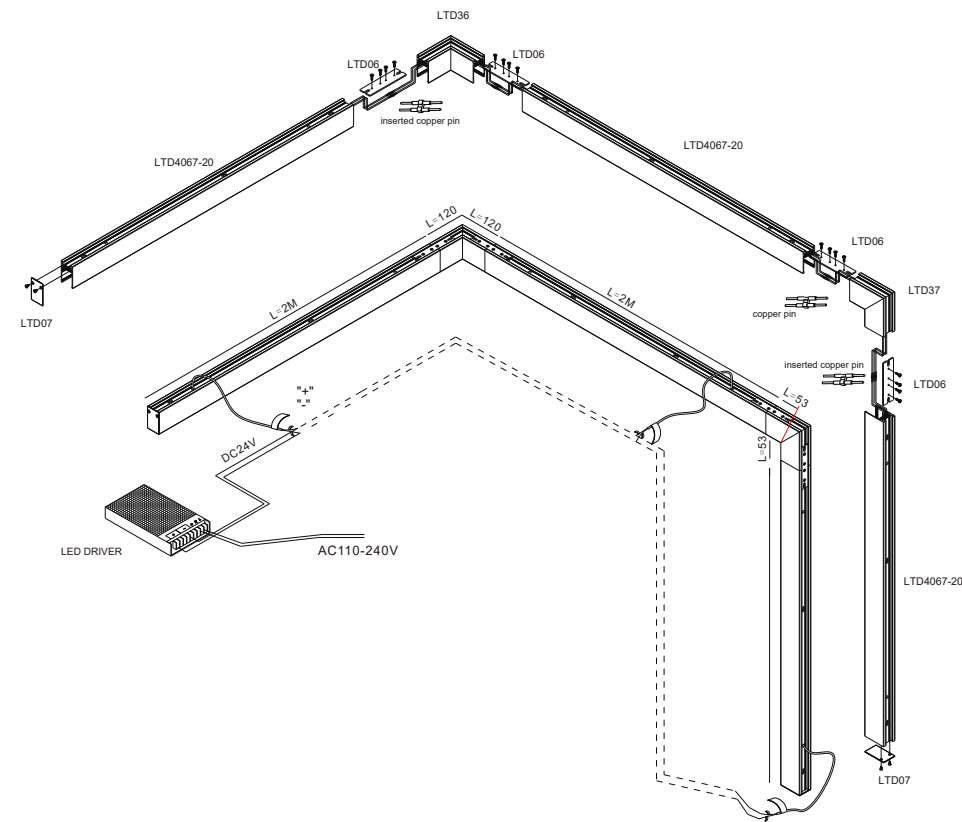
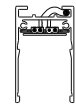


Code	System Power W	Output Lumen lm	Dimension mm
LTD135-3	3W	200lm	Ø35mm
LTD135-5	5W	450lm	Ø50mm
LTD135-10	10W	850lm	Ø60mm



LTD4067

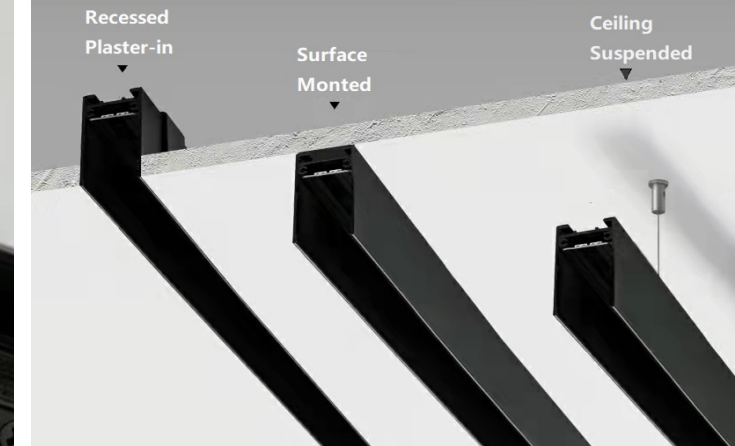
HIDDEN GROOVE



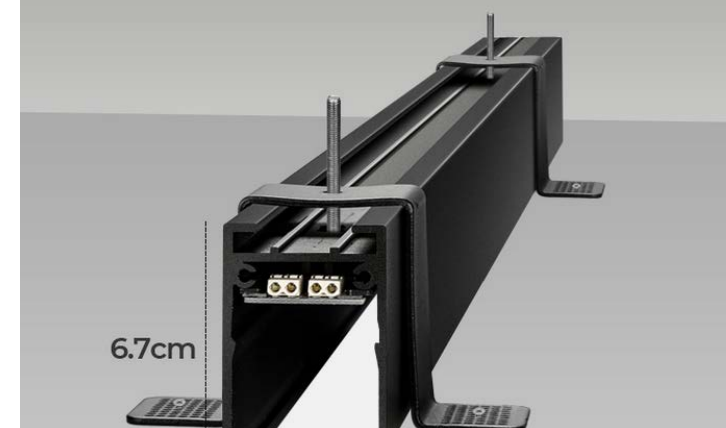
The color finishing of copper connection had been improved, It's hardly to see the copper connection when you look at the ceiling.



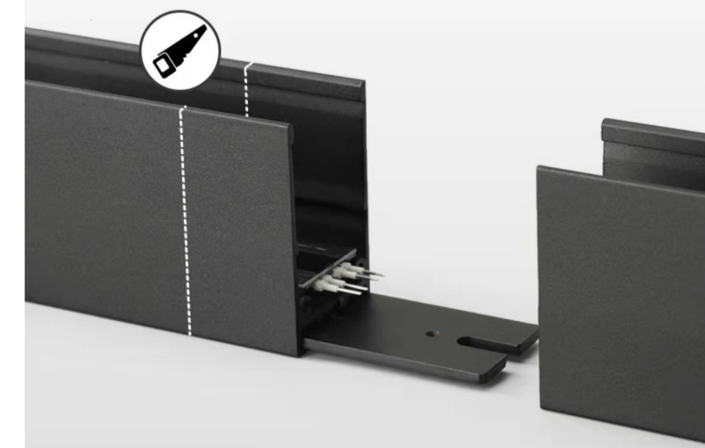
The magnetic track is suitable for different installation methods and the multiple installation accessories are available.



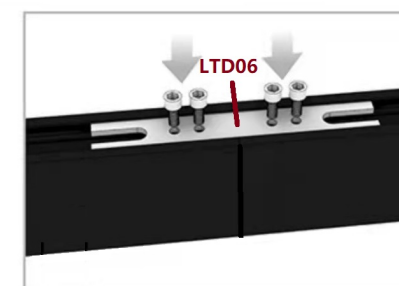
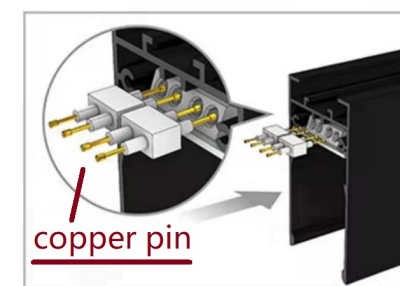
Aluminum profile with height of 67mm and bracket design make the installation more easier.

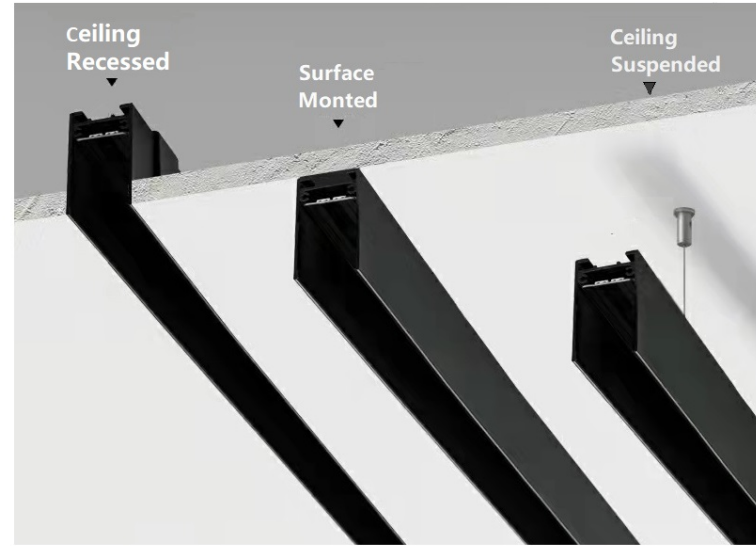
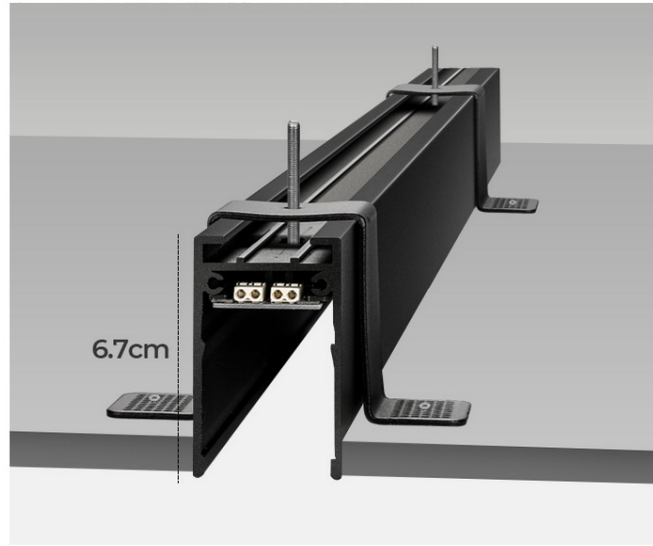


The magnetic track can be cut at any length at site, and all the track can still working after cutting.

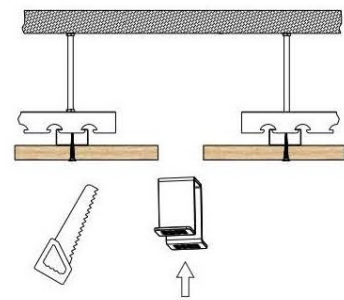
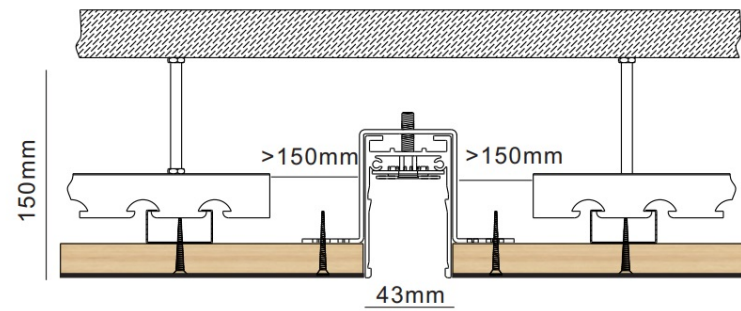


Conducting electricity by connecting of copper pin with the internal terminal. LTD06 is used to connect two tracks. (LTD06 is connect kit, one of installation accessories)

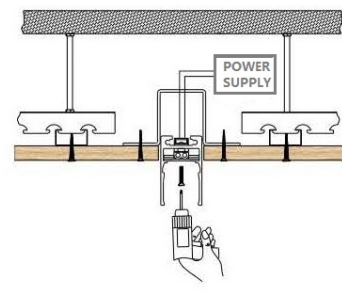




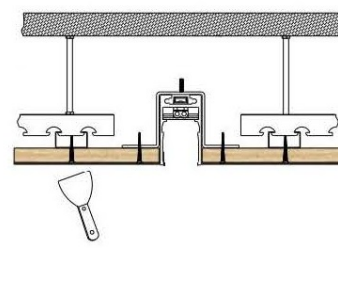
INSTALLATION - RECESSED



Install the Bracket LTD02

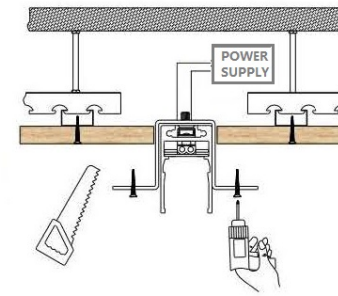
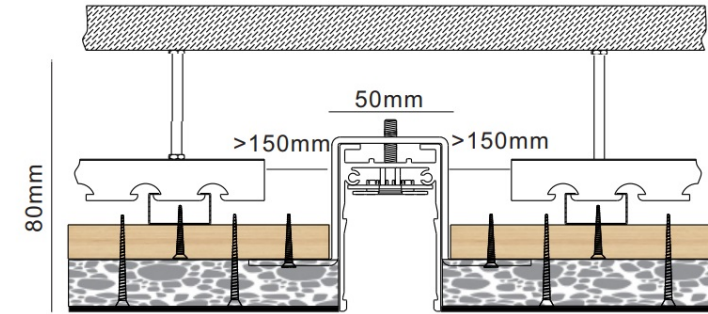


Install the Track Profile

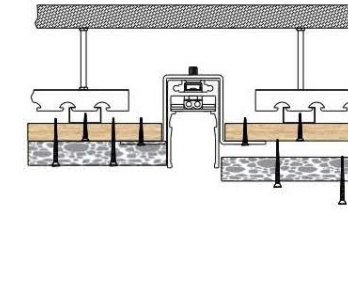


Ceiling Painting

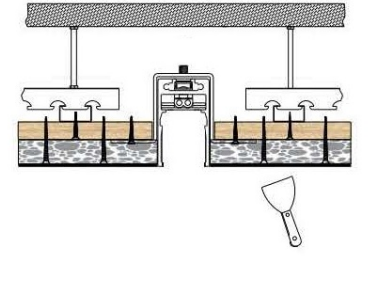
INSTALLATION - PLASTER IN



Install the Track Profile & Bracket LTD02



Install the Gypsum Board



Ceiling Painting